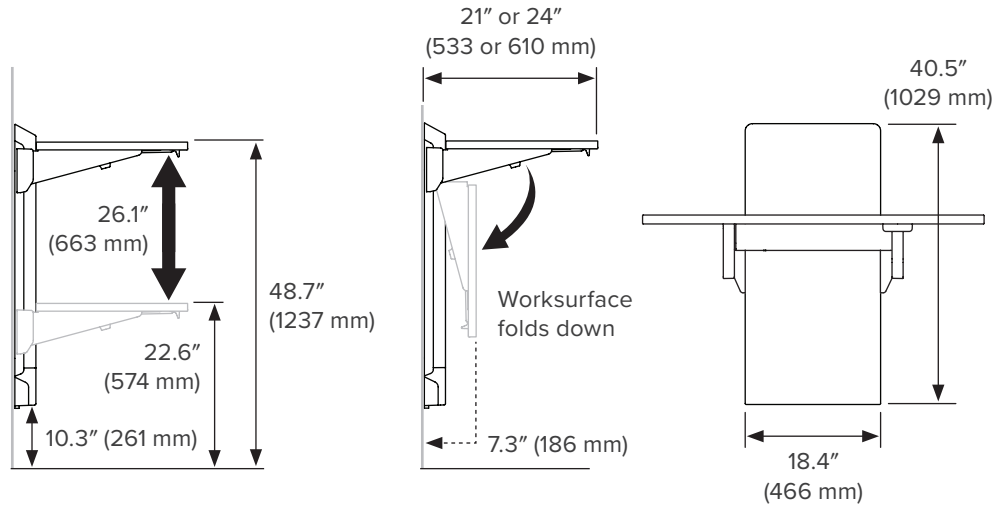


# JUV™ Wall Mount — Technical Specifications

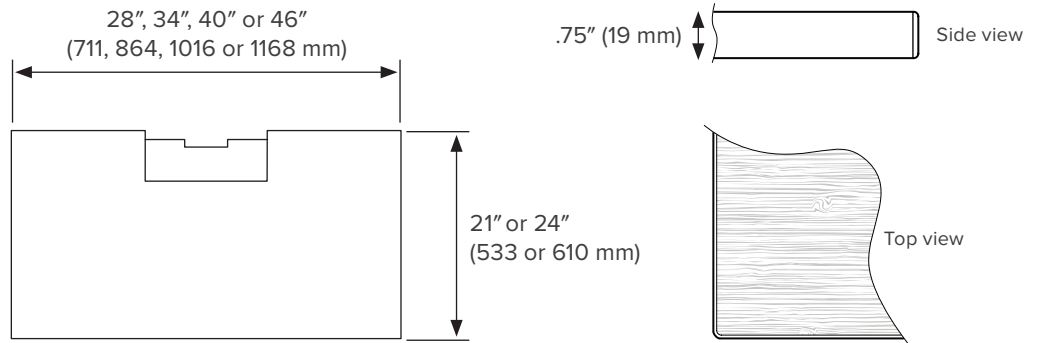
## Vertical Lift System

- Non-electric, adjustable worksurface provides full 26" (66 cm) BIFMA ergonomic range: 22.6–48.7" (57.4–123.7 cm)
- Constant Force™ technology for easy adjustment
- Surface supports up to 40 lbs (18.14 kg) for easiest lift experience



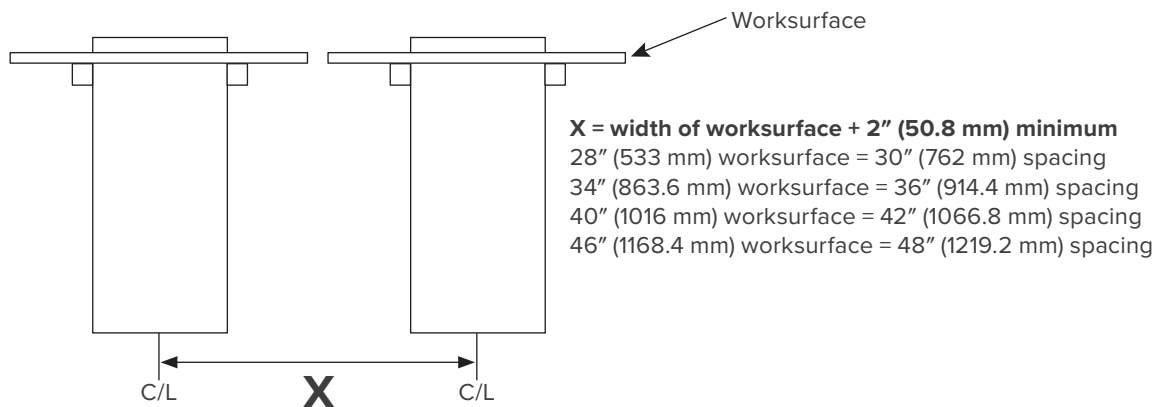
## Surface

- Space-saving, flip-down worksurface
- 4 worksurface size options: 28", 34", 40" or 46" (711, 864, 1016 or 1168 mm)
- Worksurface edge is .75" (19 mm) and includes 2 mm ABS edgeband
- Woodgrain runs width of surface



## Multi-Unit Configuration

- Place units next to each other for multiple surfaces
- Allow enough space between units by adding 2" (50.8 mm) to the space between the center of each worksurface to eliminate pinch points

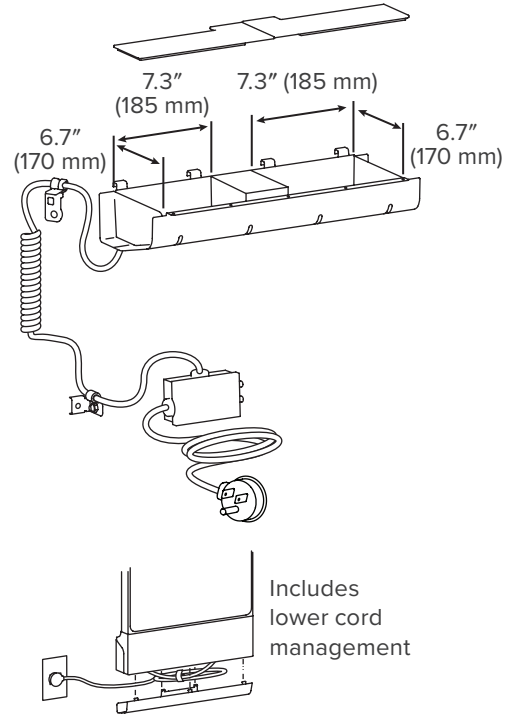
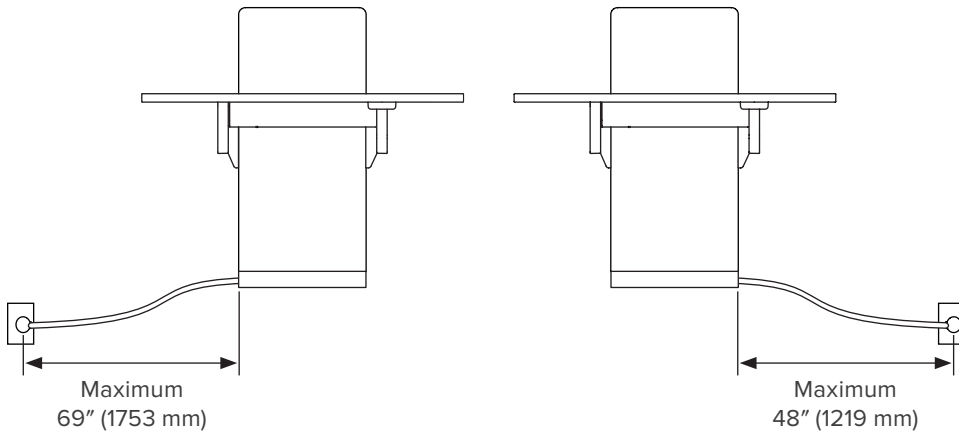


# JUV™ Wall Mount — Technical Specifications

## Power Options

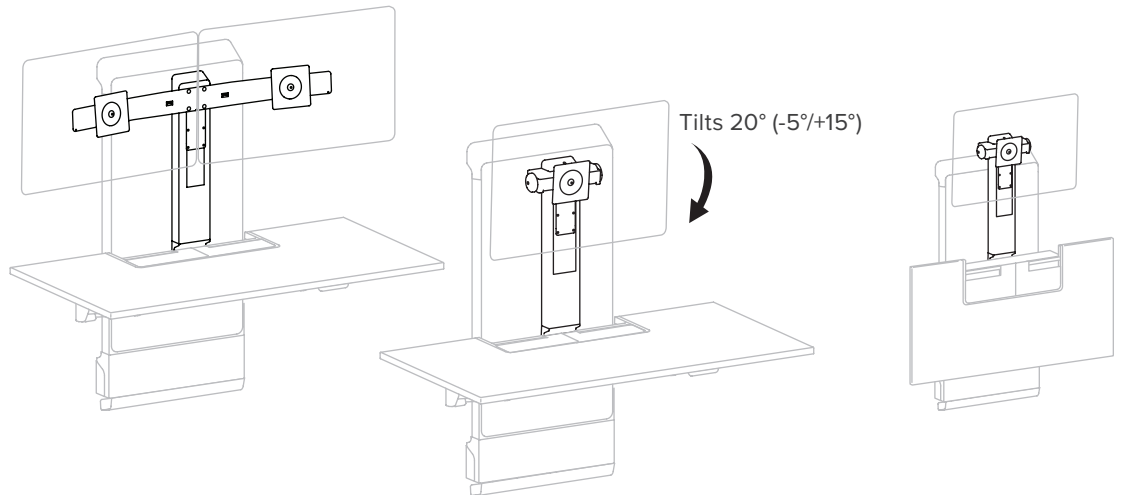
- Integrated power and USB option available
- AC input: 120 v ~ 60 – Hz
- Max amps: 12A
- Includes 3 AC outlets and 2 USB jacks

- Power cord provides access to outlets up to 69" (1753 mm) to the left and up to 48" (1219 mm) to the right
- When power is added, 1-piece cover changes to 2-piece removable cover



## Riser Options

- Optional
- Integrates single or dual monitors
- Dual riser accommodates up to two 27" monitors
- Single monitor riser: 6–16 lbs (2.7–7.2 kg)
- Single HD monitor riser: 14–28 lbs (6.3–12.7 kg)
- Dual monitor riser: 14–28 lbs (6.3–12.7 kg)
- Risers include 5" (13 cm) lift
- Single monitor tilts 20° (-5°/+15°)
- Worksurface in flip-down position does not interfere with riser



## Insert Options

- Field-applied laminate accessory
- Includes adhesive backer
- Non-removable
- Woodgrain runs vertically

